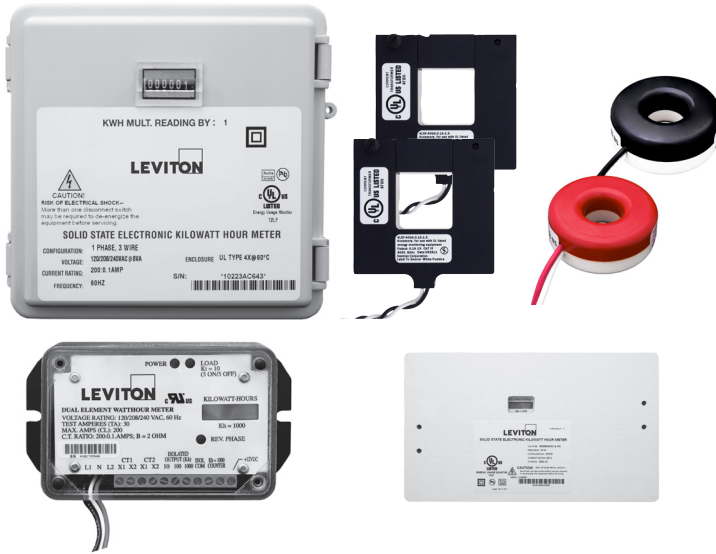


# Mini Meter Kits

## Submetering Solutions for Accurate Measurement & Verification



- kWh Meter
- 120V 1PH 2W and 120/208/240V 1PH 3W
- 100-200 Amps
- Pulse Output - standard feature
- Kit includes submeter, specified enclosure and required Current Transformers (CTs)

### DEFINITION

The Leviton Mini Meter line of revenue-grade meters meets all measurement and verification-based opportunities - including load management and LEED rating achievement. Designed to provide a simple and effective process for accurately capturing measurements of power consumption, Mini Meters are easy to specify and install for new construction and retrofits.

- Multi-tenant residential applications
- 1- or 2-Phase Applications
- Revenue grade accuracy
- Compact footprint; fits almost anywhere
- Cost effective solution
- Isolated pulse output channel for AMR compatibility

Leviton meters utilize highly accurate current transformers for revenue-grade performance certified to ANSI standards. Competing products use current sensors that do not provide the same level of performance. Leviton offers CTs in solid and split core styles to accommodate all phases of installation and construction. Solid core CTs are ideal for new construction, when power is not

live and wires can easily be threaded through the core. Split core CTs can be installed at any time without having to disconnect wire terminations, making them the optimal choice for retrofitting an existing structure. Split core CTs close securely for fast, precise installation with no need for time-consuming tie wraps and no worries about improper seating or core half separation. Both solid and split core CTs offer high quality, long term accuracy and reliability.

Every Mini Meter has an installer-friendly feedback feature. The red reverse phase indicator acts as an installation diagnostics tool and illuminates if a meter is improperly installed. After installation, the green duty cycle light shows that the meter is collecting electric consumption data at the appropriate rate. All 100 and 200 Amp solid core CTs have color-coded labels to easily identify and correctly land the wires at the meter.

## PRODUCT DATA

### APPLICATIONS

Use Mini Meters in multi-tenant residential and certain commercial industrial applications for:

- Load profiling and benchmarking
- AMR/BAS/BMS/EMS integration
- Usage aggregation
- Tenant cost allocation
- Measurement and verification
- Energy conservation and cost reduction
- Green building initiatives and Government mandates

### FEATURES

- Measures kWh
- Revenue-Grade: Conforms to all applicable standards of ANSI C12.1
- Equipped standard with an Isolated Pulse Output channel for automated meter reading
- Available in indoor flush mount enclosure
- Available in NEMA 4X indoor/outdoor enclosure packages and Multiple Meter Units (MMUs) from 2-19 meters
- Utilizes revenue-grade 0.3% accuracy class 0.1A secondary solid core current transformers (CTs) that conform to all applicable ANSI requirements or 1.0% accuracy split-core CTs
- Up to three sets of CTs per phase can be paralleled per meter without the need for a meter multiplier
- CT lead length maximum: 48"
- "6" models UL/cUL Listed Energy Usage Monitor per CCN FTRZ; "7" models UL/cUL Recognized Energy Usage Monitoring Equipment
- Ten year warranty

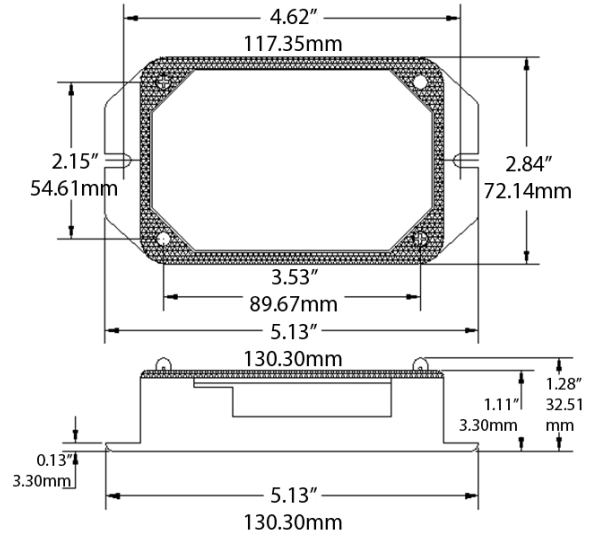
### CONFIGURATIONS\*

AMPERAGES	PHASE/VOLTAGES
100 and 200A	1Ø/2W - 120V
100 and 200A	1Ø/3W - 120/208/240V

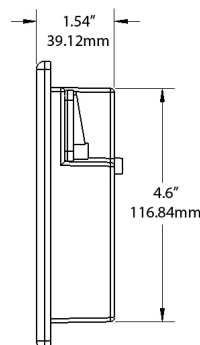
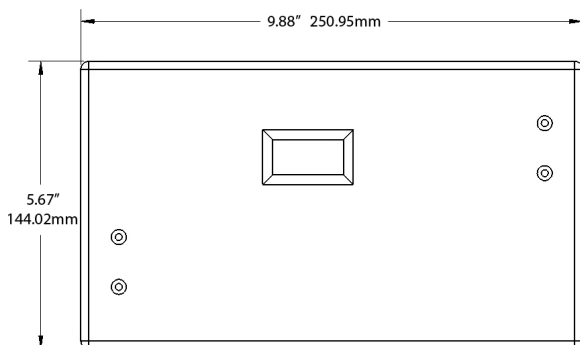
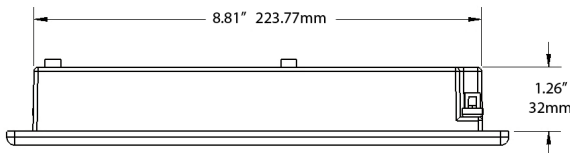
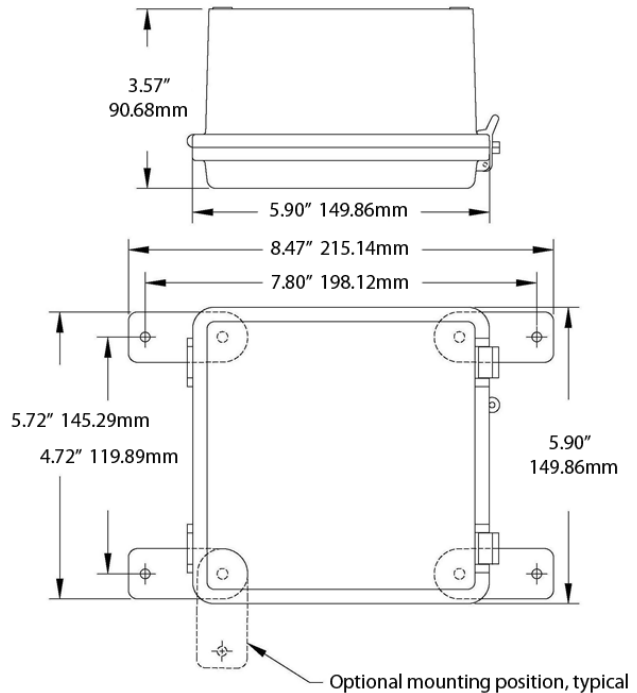
\* Contact factory for non-US voltage configurations.

### DIMENSIONS

#### INDOOR ENCLOSURE

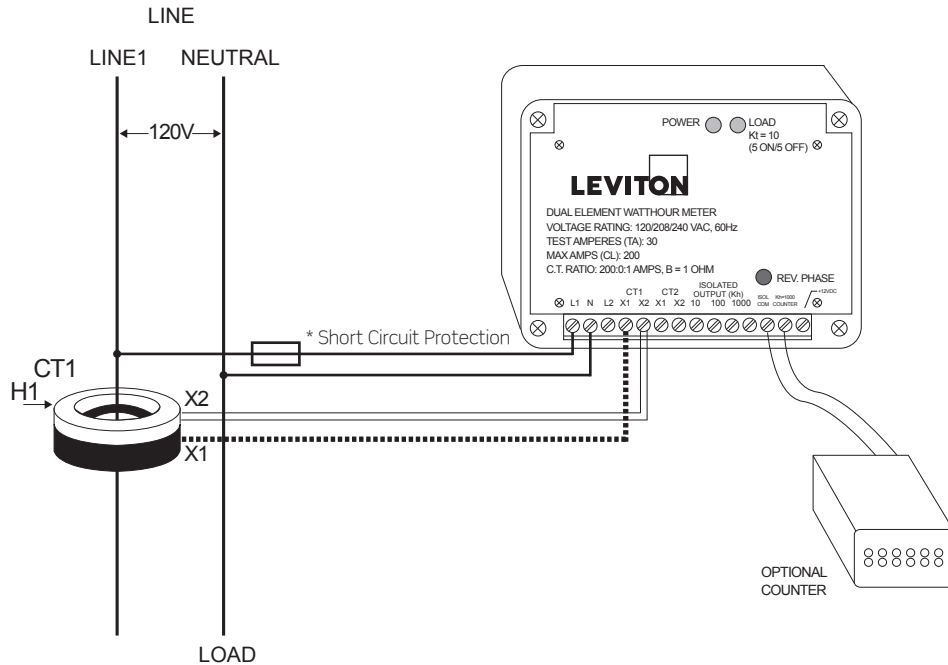


#### OUTDOOR ENCLOSURE

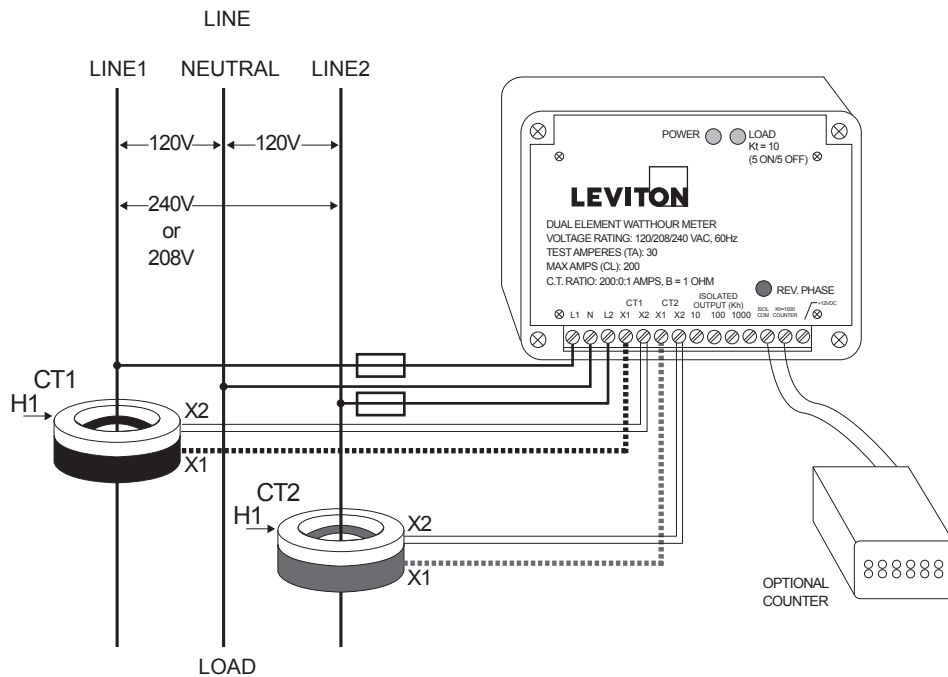


#### FLUSH MOUNT ENCLOSURE

**SINGLE ELEMENT, MINI METER HOOKUP DIAGRAM**



**DUAL ELEMENT, MINI METER HOOKUP DIAGRAM**



Leviton recommends solid core transformers (CTs) for revenue-grade accuracy. Our 100A and 200A color coded CTs assist with correct installation by indicating phase monitored. Split core CTs are also available upon request for applications where power cannot be interrupted during installation. Our 100-5,000 Amp Split Core CTs offer +/-1.0% accuracy.

\*Short circuit protection per NEC and local codes by others

# PRODUCT DATA



## ORDERING INFORMATION

### Mini Meter Kits - Indoor Enclosure

**NOTE:** All kits include meter, specified enclosure and Current Transformers (CTs)

Voltage	Amps	CTs Included	Leviton P/N
120/208V 1PH 3W or 120/240V 1PH 3W (Split Phase)	100A	2 SOLID CTs	MK240-1SW
	200A	2 SOLID CTs	MK240-2SW

**The following products are also part of the Leviton line of integrated metering solutions:**

Series 1000 Meters  
Series 2000 Meters  
Series 3000 Smart Meters  
Multiple Meter Units (MMUs)  
Current Transformers (CTs)  
Energy Manager Monitoring Software

### MINI METER KITS - OUTDOOR ENCLOSURE

Voltage	Amps	CTs Included	Leviton P/N
120/208V 2PH 3W or 120/240V 1PH 3W (Split Phase)	100A	2 SOLID CTs	MO240-1SW
	200A	2 SOLID CTs	MO240-2SW
120/208V 2PH 3W or 120/240V 1PH 3W (Split Phase)	100A	2 Split CTs	MO240-01W
	200A	2 Split CTs	MO240-02W

### Mini Meters - Singles

**NOTE:** The following meters are sold as individual components. Current transformers (CTs) sold separately. Individual Current Transformers (CTs) are also available; see the Current Transformer data sheet documentation for part numbers and additional information.

Voltage	Amps	Description	Leviton P/N
<b>INDOOR FLUSH MOUNT SINGLE ELEMENT MINI METER</b>			
120V 1PH 2W	100A	1.0 kWh Self-Contained LCD Counter	6F101-C01
	200A		6F101-C02
<b>INDOOR FLUSH MOUNT DUAL ELEMENT MINI METER</b>			
120/240V 1PH 3W	100A	1.0 kWh Self-Contained LCD Counter	6F201-C01
	200A		6F201-C02
<b>OUTDOOR SINGLE ELEMENT MINI METER</b>			
120V 1PH 2W	100A	Mechanical 1 kWh Counter	6S101-B01
	200A		6S101-B02
	100A	Mechanical 1/10 kWh Counter	6S101-D01
	200A		6S101-D02
<b>OUTDOOR DUAL ELEMENT MINI METER</b>			
120/240V 1PH 3W	100A	Mechanical 1 kWh Counter	6S201-B01
	200A		6S201-B02
	100A	Mechanical 1/10 kWh Counter	6S201-D01
	200A		6S201-D02

Voltage	Amps	Description	Leviton P/N
<b>OEM MODULE SINGLE ELEMENT MINI METER</b>			
120V 1PH 2W	100A	1.0 kWh Counter Output	7B101-H01
	100A	1.0 kWh Self-Contained LCD Counter	7B101-S01
	100A	0.1 kWh Counter Output	7B101-T01
	200A	1.0 kWh Counter Output	7B101-H02
	200A	1.0 kWh Self-Contained LCD Counter	7B101-S02
<b>OEM MODULE DUAL ELEMENT MINI METER</b>			
120/240V 1PH 3W	200A	0.1 kWh Counter Output	7B201-T02
	100A	1.0 kWh Counter Output	7B201-H01
	100A	1.0 kWh Self-Contained LCD Counter	7B201-S01
	100A	0.1 kWh Counter Output	7B201-T01
	200A	1.0 kWh Counter Output	7B201-H02
	200A	1.0 kWh Self-Contained LCD Counter	7B201-S02
	200A	0.1 kWh Counter Output	7B201-T02
	200A	0.1 kWh Counter Output	7B201-T02

Mini Meter Kits

### LEVITON SPECIFICATION SUBMITTAL

JOB NAME:	CATALOG NUMBERS:
JOB NUMBER:	

### Leviton Manufacturing Co., Inc. Lighting & Energy Solutions

20497 SW Teton Avenue, Tualatin, OR 97062  
Telephone: 1-800-736-6682 • FAX: 503-404-5594 • Tech Line (6:00AM-4:00PM P.S.T. Monday-Friday): 1-800-959-6004

### Leviton Manufacturing of Canada, Ltd.

165 Hymus Boulevard, Pointe Claire, Quebec H9R 1E9 • Telephone: 1-800-469-7890 • FAX: 1-800-563-1853

### Leviton S. de R.L. de C.V.

Lago Tana 43, Mexico DF, Mexico CP 11290 • Tel. (+52) 55-5082-1040 • FAX: (+52) 5386-1797 • www.leviton.com.mx

Visit our Website at: [www.leviton.com/les](http://www.leviton.com/les)

© 2012 Leviton Manufacturing Co., Inc. All rights reserved. Subject to change without notice.

G-8756/C12-tb